



US009784439B2

(12) **United States Patent**  
**Baker**

(10) **Patent No.:** **US 9,784,439 B2**  
(45) **Date of Patent:** **Oct. 10, 2017**

(54) **SAFETY HOLIDAY LIGHT ASSEMBLY AND METHOD FOR SAFE INSTALLATION FROM THE GROUND**

(71) Applicant: **David W. Baker**, Plain City, UT (US)

(72) Inventor: **David W. Baker**, Plain City, UT (US)

(\* ) Notice: Subject to any disclaimer, the term of this patent is extended or adjusted under 35 U.S.C. 154(b) by 290 days.

(21) Appl. No.: **14/716,674**

(22) Filed: **May 19, 2015**

(65) **Prior Publication Data**

US 2016/0341375 A1 Nov. 24, 2016

(51) **Int. Cl.**

- F21S 4/00** (2016.01)
- F21V 21/02** (2006.01)
- F21S 4/10** (2016.01)
- F21S 4/28** (2016.01)
- F21S 4/20** (2016.01)
- F21V 21/34** (2006.01)
- F21V 21/005** (2006.01)
- F21W 121/00** (2006.01)

(52) **U.S. Cl.**

CPC ..... **F21V 21/02** (2013.01); **F21S 4/10** (2016.01); **F21S 4/28** (2016.01); **F21S 4/20** (2016.01); **F21V 21/005** (2013.01); **F21V 21/34** (2013.01); **F21W 121/004** (2013.01)

(58) **Field of Classification Search**

CPC ..... **F21S 4/10**; **F21S 4/20**; **F21S 4/26**; **F21S 4/28**; **F21V 21/34**; **F21V 21/005**; **F21V 21/35**; **A47H 13/01**; **A47H 13/02**; **A47H 13/04**  
USPC ..... 362/391  
See application file for complete search history.

(56) **References Cited**

U.S. PATENT DOCUMENTS

2,147,625	A *	2/1939	Brothers	.....	A47G 25/746
					16/87.4 R
2,715,966	A *	8/1955	Tieck	.....	A47H 15/02
					104/108
4,039,263	A *	8/1977	Bassler	.....	E04B 1/1906
					403/171
5,180,223	A *	1/1993	McNamee	.....	B60Q 1/305
					362/223
6,609,813	B1 *	8/2003	Showers	.....	F21V 15/01
					362/223
7,066,618	B1 *	6/2006	Little	.....	F21V 21/08
					248/227.4
8,506,136	B1 *	8/2013	Herd	.....	F21V 17/007
					362/249.09
2005/0055800	A1 *	3/2005	Meech	.....	A47H 1/10
					16/87.4 R
2006/0042673	A1 *	3/2006	Tseng	.....	A47H 13/00
					135/117
2007/0211462	A1 *	9/2007	Dowell	.....	B05B 15/061
					362/249.01

\* cited by examiner

*Primary Examiner* — Bryon T Gyllstrom

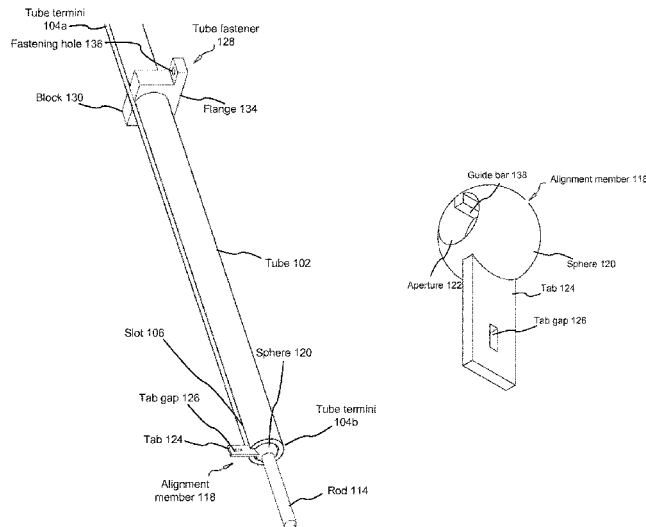
*Assistant Examiner* — James Endo

(74) *Attorney, Agent, or Firm* — Steven Rinehart

(57) **ABSTRACT**

A safety holiday light assembly facilitates installation of holiday lighting to an exterior perimeter of a building from the ground surface. A substantially rigid tube defines a hollow cavity which carries an alignment member comprising a rod and plurality of spheres. Each sphere is detachably affixed via a cantilever to holiday lighting, which is disposed around a perimeter when the alignment member is inserted into the rigid tube. The tube may be color coordinated to match the colors of the building. The tube may form protective seals against external elements.

**16 Claims, 11 Drawing Sheets**



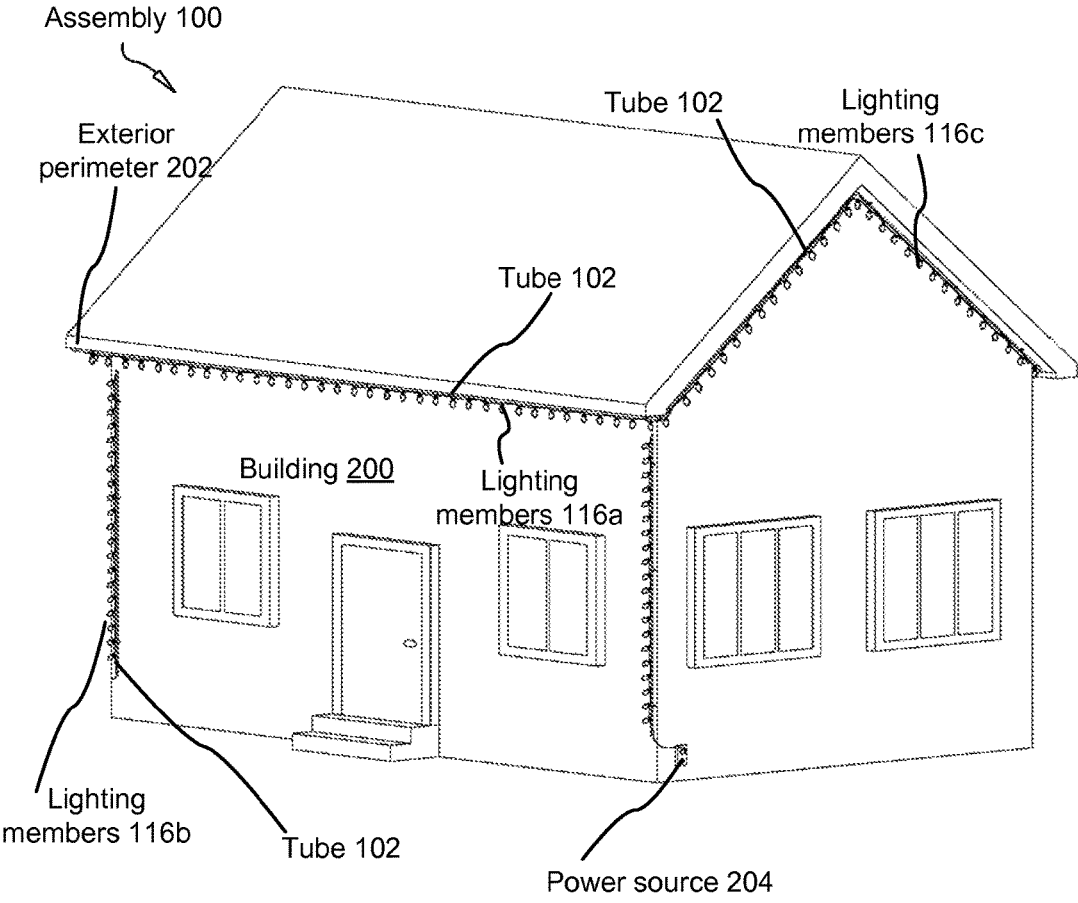


FIG. 1

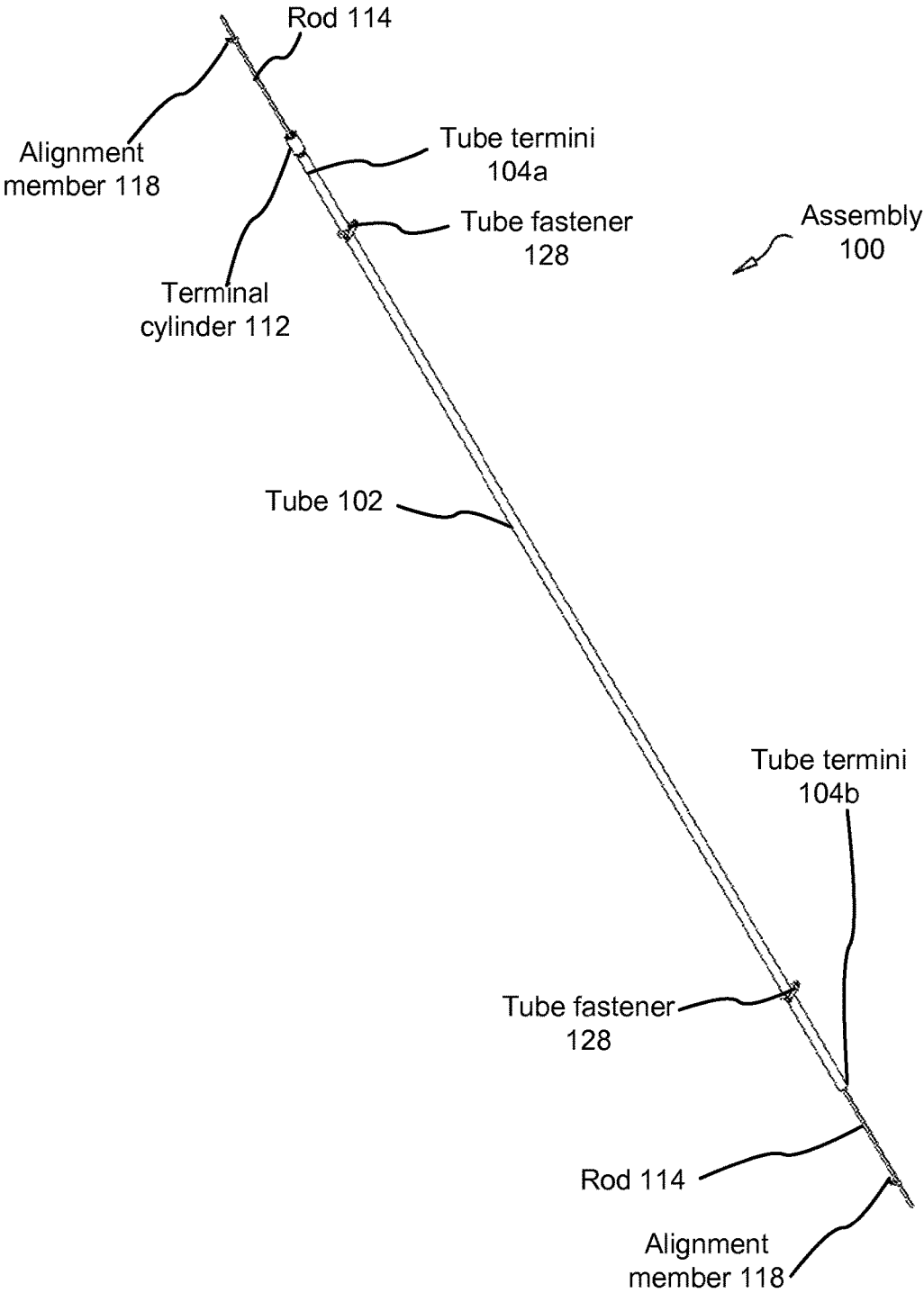


FIG. 2

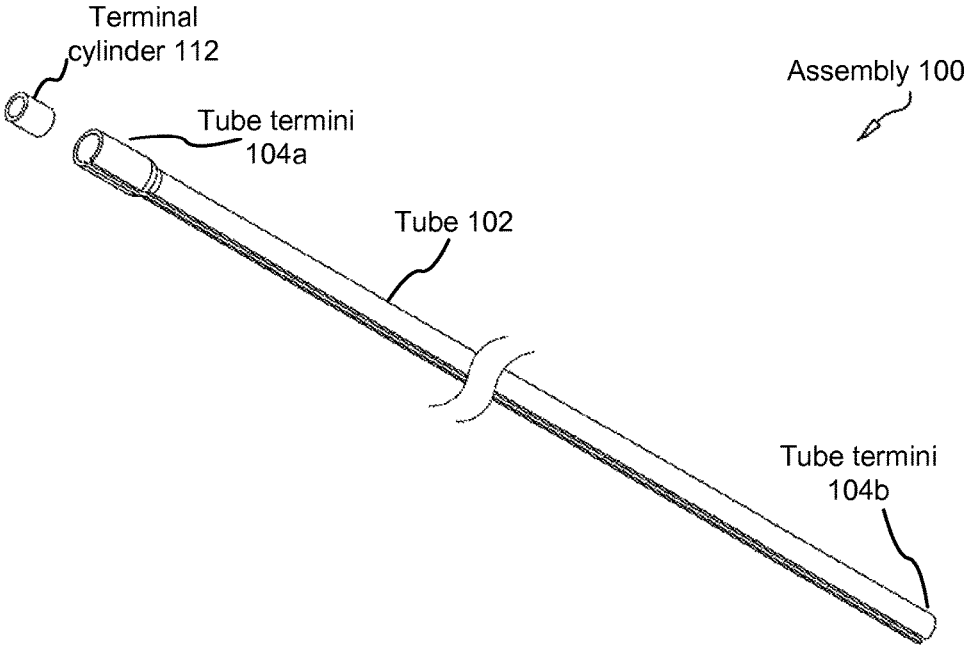


FIG. 3

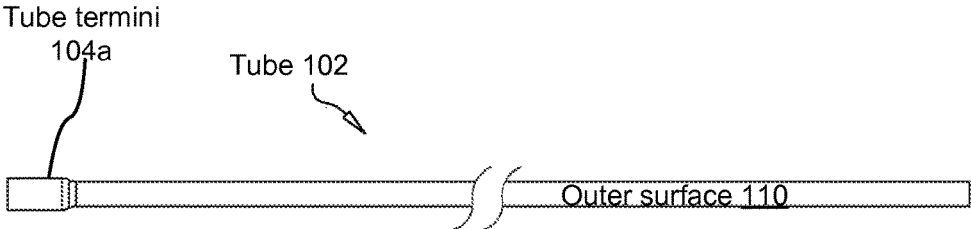


FIG. 4

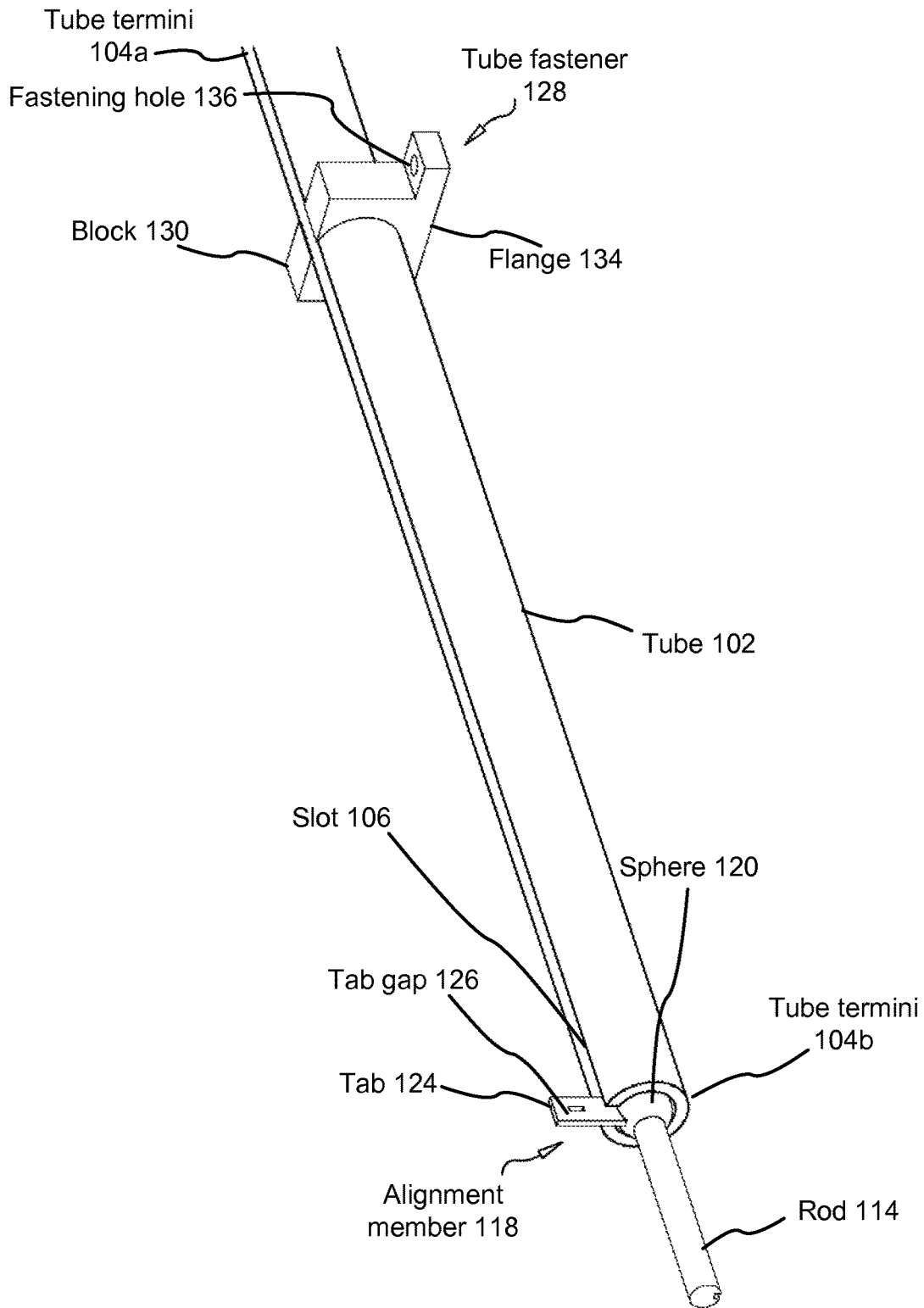


FIG. 5

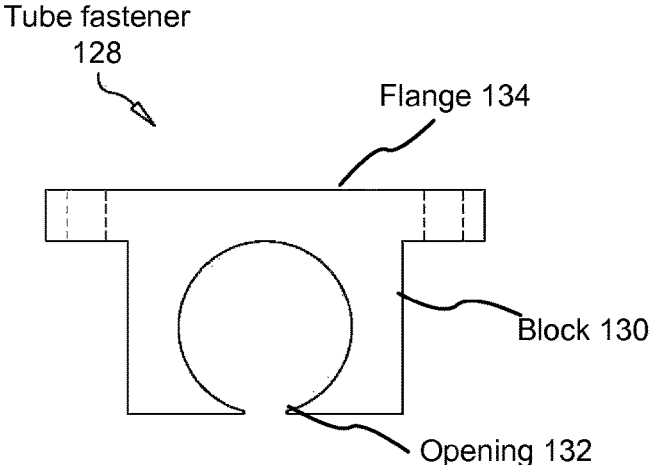


FIG. 6A

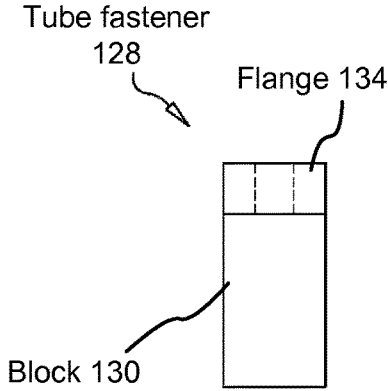


FIG. 6B

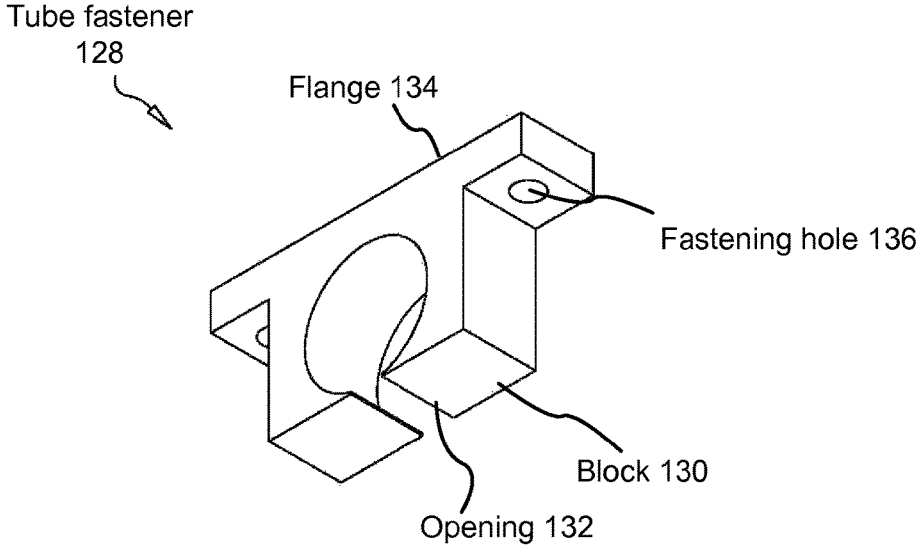


FIG. 6C

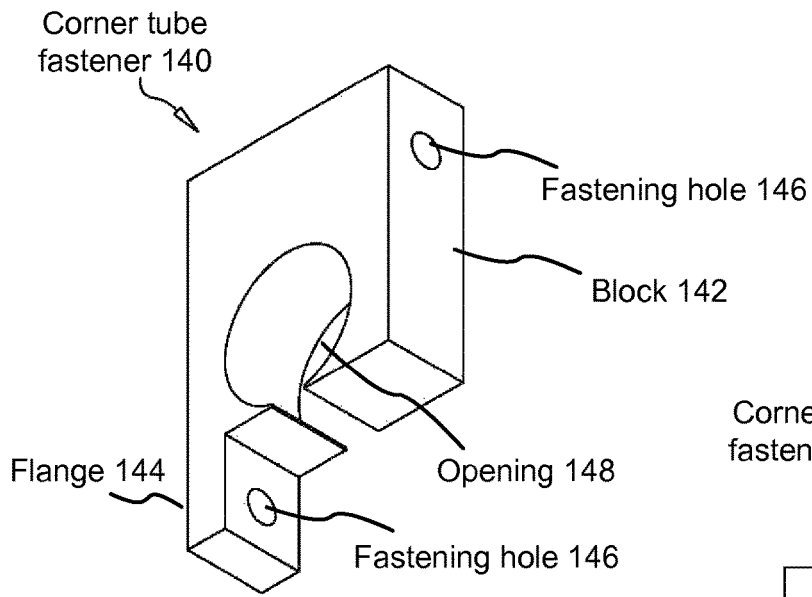


FIG. 7A

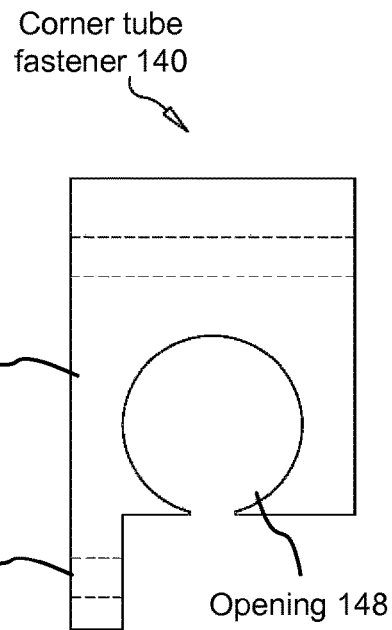


FIG. 7B

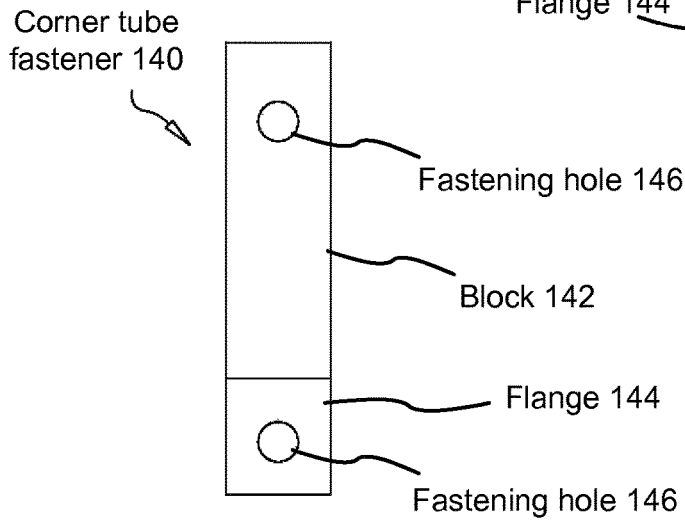


FIG. 7C

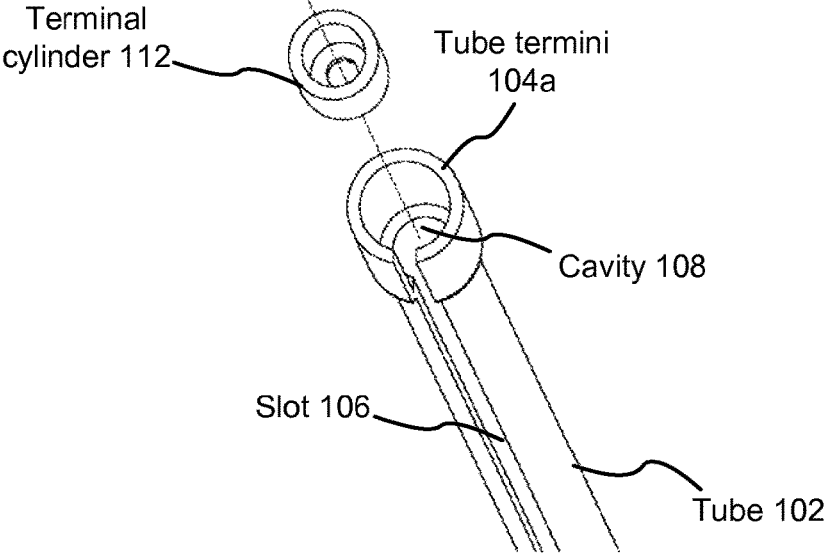


FIG. 8

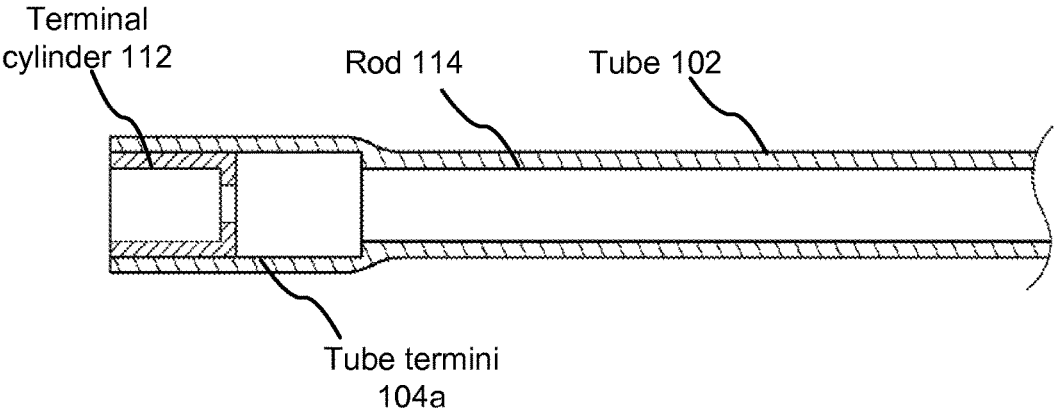


FIG. 9



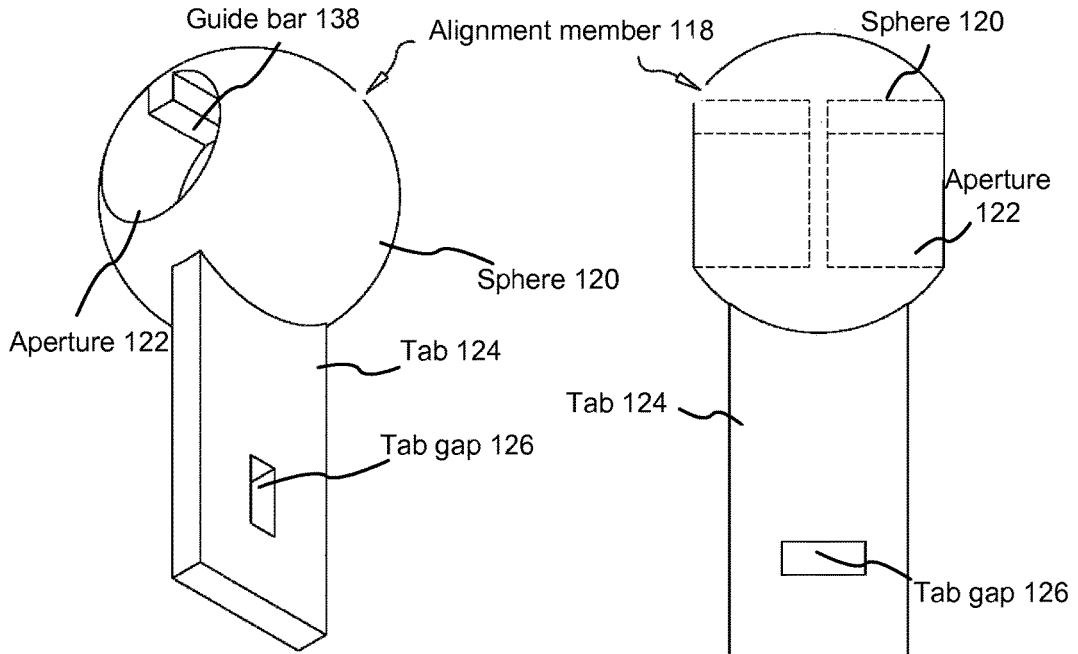


FIG. 10A

FIG. 10B

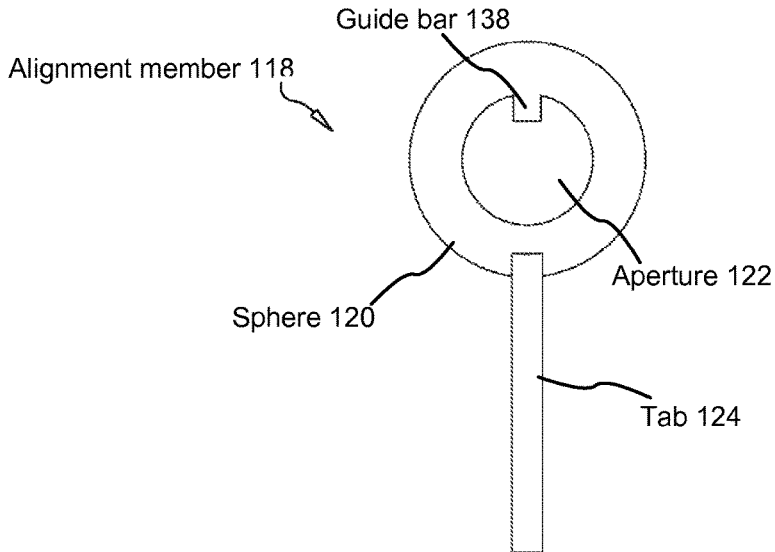


FIG. 10C

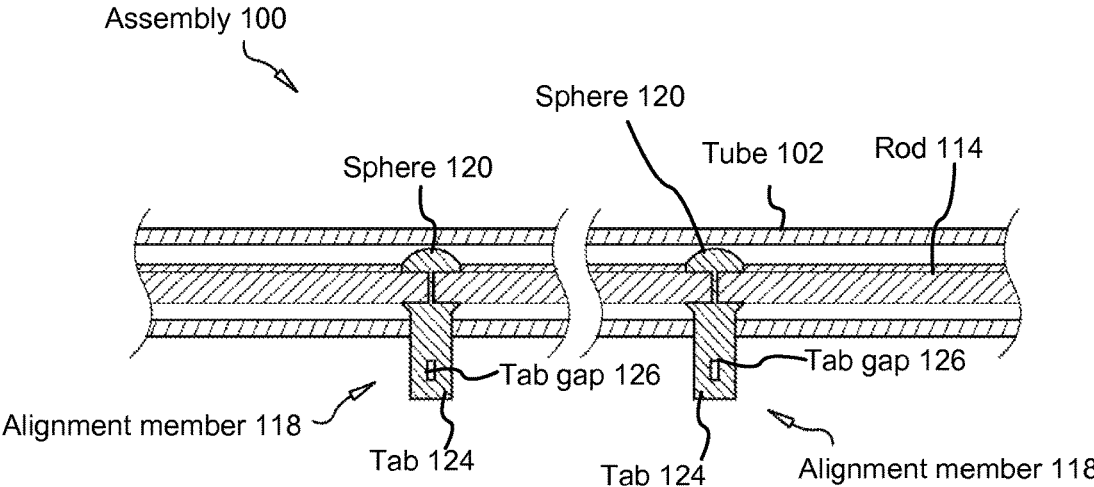


FIG. 11

Method 1200

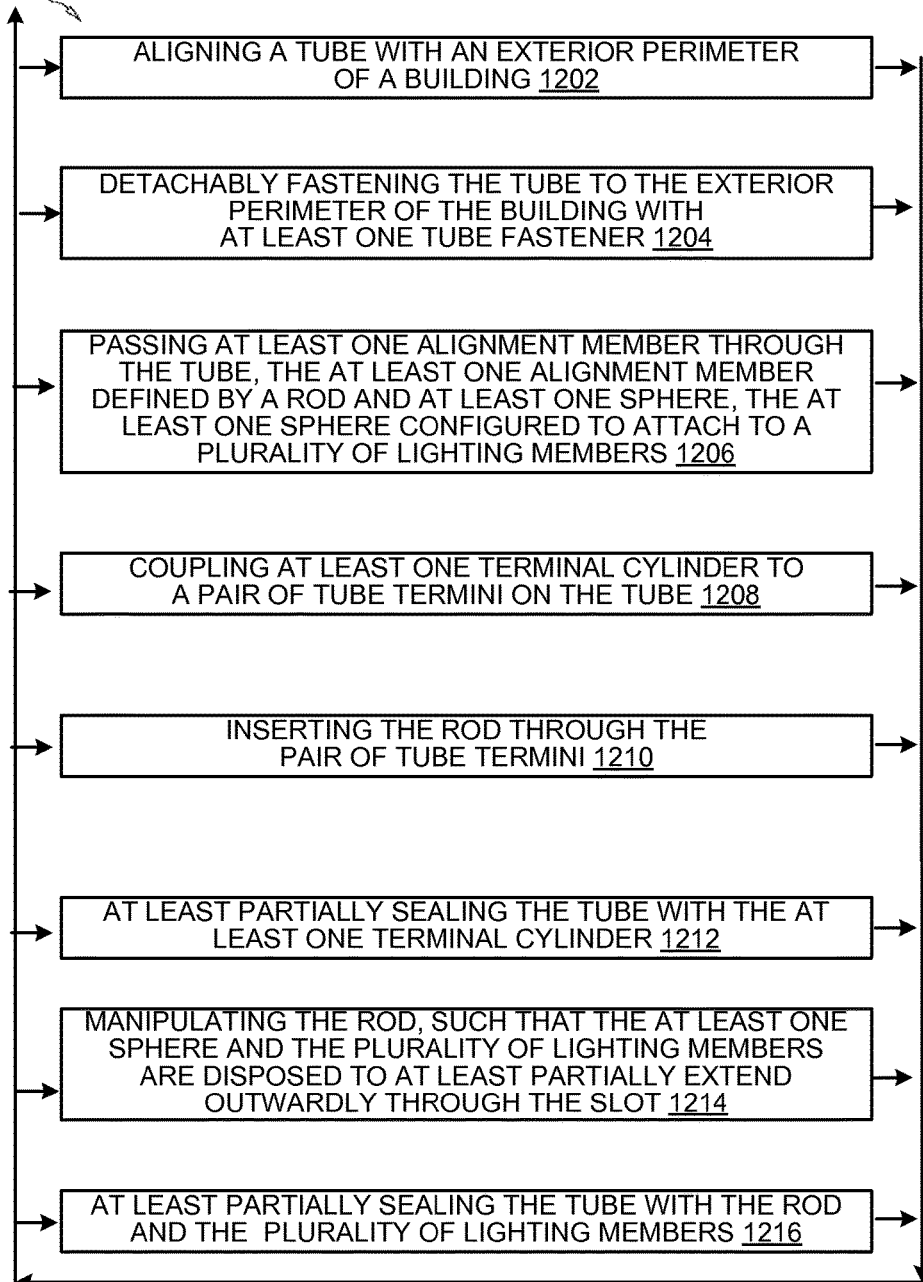


FIG. 12

Method 1300

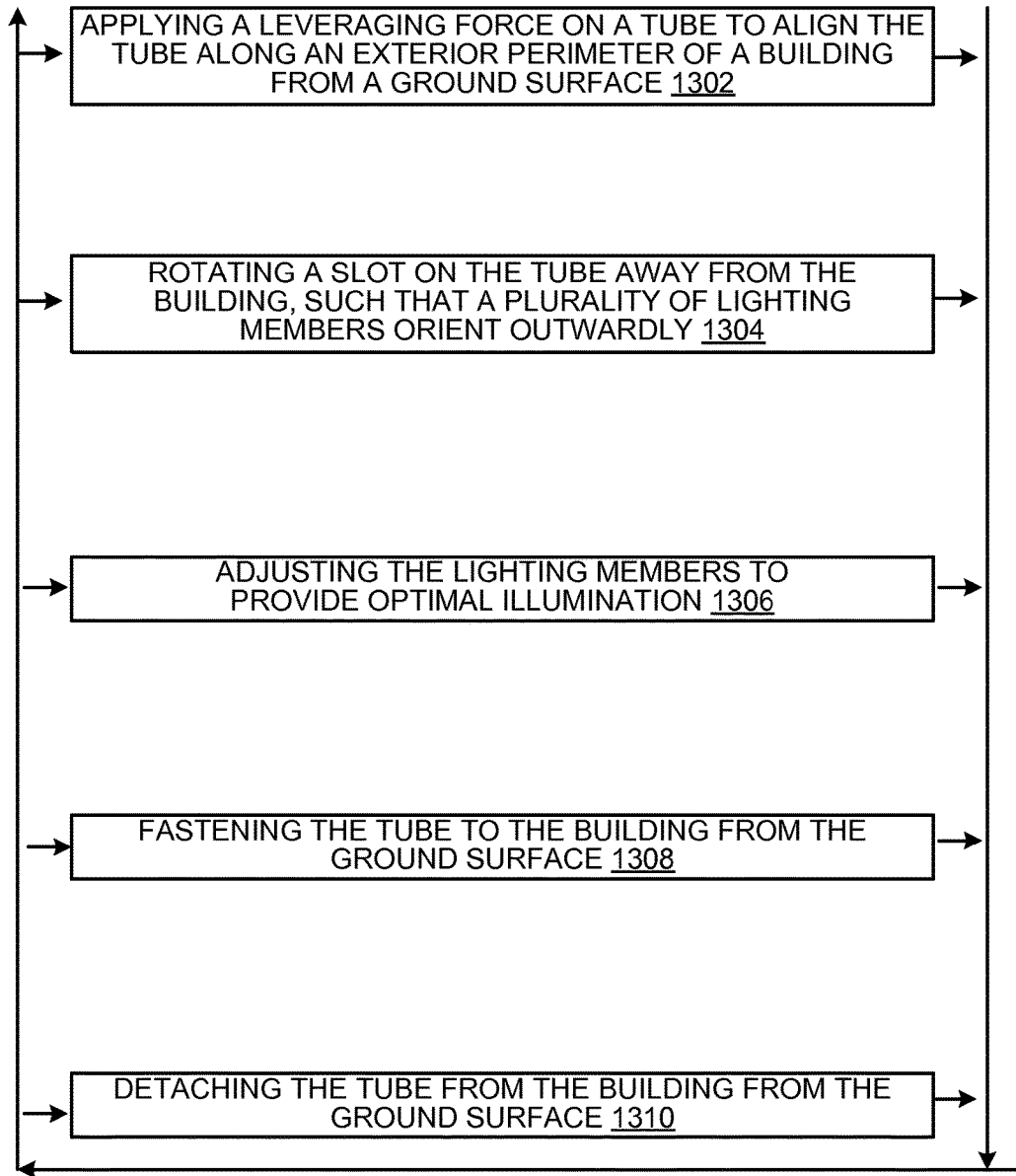


FIG. 13

1

## SAFETY HOLIDAY LIGHT ASSEMBLY AND METHOD FOR SAFE INSTALLATION FROM THE GROUND

### FIELD OF THE INVENTION

This invention relates to a safety holiday light assembly that can be installed from a ground surface and more particularly relates to a safety holiday light assembly that facilitates installation of holiday lighting on an exterior perimeter of a building from a ground surface by providing a tube that fastens to an external perimeter of a building.

### BACKGROUND

#### Description of the Related Art

Typically, holiday lights are lights used for decoration during Christmas and other seasonal holidays. The holiday light displays are utilized in many decorative ways, including decking towering holiday trees in public squares, street trees and park trees, adorning lampposts, and other such structures. In many instances, it is popular to outline private homes with such holiday lights.

The celebration of Christmas and other holidays customarily involves displaying strings of electric lights on residential homes. Many home owners use decorative lighting during holidays to show their spirit of an occasion. A popular type of holiday lighting is in a strip form and generally includes individual bulbs attached along an electrical conducting material, i.e. wire. It is common for people to attach these decorative lights outside their homes in shapes and designs reflective of a particular holiday, such as a tree during Holiday. The eaves and roof are popular places for attaching the holiday lighting.

Typically, the light strips are attached to the perimeter of the building using staples or nails that clamp the wire onto a wall or roof. This not only requires tools and is time consuming, but it also creates holes in the structure that can contribute to severe damage by causing leaks. Not all structures and surfaces are capable of supporting staples or slide-on plastic clips.

Furthermore, installation of the holiday lights requires climbing a ladder to reach the eaves and roof. The ladder must maintain balance of the installer during alignment, stapling, and testing of the holiday lights. Sometimes, the installer must actually sit on the roof itself to access the eaves of the building. In many instances, the installer is not an experienced construction worker or light installation technician, but merely a home owner with a shoddy ladder. It is also very time-consuming to install holiday lighting in accordance with traditional means in the art.

Since Holiday falls in the winter, it is common for high winds, snow, and ice to cause a bulb to buttress the ladder, ropes, and shingles on which the installer depends for support. The high winds may also break; either by agitation or by being forced by a gust into the attached rigid structure. Also, since the holiday lights require electricity, encountering moisture and dust can make the circuitry for the holiday lights inoperable.

Thus, it would be advantageous to provide a holiday light assembly that can be safely installed from the ground surface quickly, that may be color coordinated with the external perimeter of a building, that may inhibit access of moisture and contaminants to the circuitry and lights for

2

holiday lights, while also enabling external manipulations of the light bulbs to orient them for a desired ornamental effect.

### SUMMARY

5

From the foregoing discussion, it should be apparent that a need exists for a safety holiday light assembly that can be installed from a ground surface, provides color coordination to match the exterior perimeter and eaves of a building, and inhibits entry of moisture and contaminants into contact with the holiday lighting. A holiday light assembly is provided to facilitate expeditious placement of holiday lights on a building, the assembly comprising: one or more cylindrical tubes defining a hollow inner cavity and a slot, the tubes each having a first diameter and a pair of tube termini, wherein the slot extends along the length of the tube; an alignment member comprising a rod and a plurality of spheres, the rod and the plurality of spheres joined at evenly spaced-apart intervals, the alignment member disposed to pass through the cavity along the length of the tube, the at least one sphere configured to attach to a plurality of lighting members, wherein each sphere comprises a cantilever protruding through the slot when the alignment member is within the cavity, each cantilever comprising fastening means for fastening the cantilever to a lighting member.

The assembly of claim 1 may further comprise: at least one terminal cylinder, the at least one terminal cylinder defined by a second diameter, the at least one terminal cylinder configured to detachably couple to the pair of tube termini, at least one tube fastener, the at least one tube fastener defined by a block having an opening, the opening configured to enable passage of the tube, the at least one tube fastener further defined by a flange having at least one fastening hole; a plurality of lighting members having a plurality of holiday lights.

Each sphere may define a blind aperture, the aperture configured to receive the rod. The rod may be affixed to the sphere with adhesive. The cantilever of each sphere may extend outwardly from the cavity of the tube through the slot. The rod may be formed as an integrated piece with the plurality of spheres.

The plurality of lighting members may be fastened to the at least one sphere with a fastener. The tube may be configured to detachably attach to an exterior perimeter of a building.

The exterior perimeter of the building may include at least one member selected from the group consisting of: an eave, a corner, a roof ridge, a window frame, and a door perimeter.

The block of the at least one tube fastener may be affixable to the outer surface of the tube via one of a detachable fastener and adhesive.

The flange of the at least one tube fastener may detachably attach to the exterior perimeter of the building. The tube may be color coordinated to substantially match the exterior perimeter of the building.

The at least one terminal cylinder may substantially match the shape of the pair of tube termini. The at least one terminal cylinder may detachably couple to the pair of tube termini through a threaded engagement.

The plurality of lighting members may include at least one member selected from the group consisting of: light bulbs, light emitting diodes, and light strips.

The at least one fastening hole of the flange may be configured to enable passage of a screw.

A method for expeditiously positioning holiday lighting on the exterior perimeter of a building is also provided, the method comprising: aligning a tube with an exterior perim-

65

3

eter of a building; detachably fastening the tube to the exterior perimeter of the building with at least one tube fastener; passing at least one alignment member through the tube, the at least one alignment member defined by a rod and at least one sphere, the at least one sphere configured to attach to a plurality of lighting members; coupling at least one terminal cylinder to a pair of tube termini on the tube; inserting the rod through the pair of tube termini; at least partially sealing the tube with the at least one terminal cylinder; manipulating the rod, such that the at least one sphere and the plurality of lighting members are disposed to at least partially extend outwardly through the slot; and at least partially sealing the tube with the rod and the plurality of lighting members.

The present invention has been developed in response to the present state of the art, and in particular, in response to the problems and needs in the art that have not yet been fully solved by currently available holiday light assemblies that are exposed to the external moisture and contaminants. Accordingly, the present invention has been developed to provide safety holiday light assembly for detachable attachment to the exterior of a building that overcome many or all of the above-discussed shortcomings in the art.

The safety holiday light assembly is provided with a plurality of modules configured to functionally execute the necessary steps of decoratively lighting the perimeter of the building, while also inhibiting entry of moisture and contaminants through the tube termini and the slot that runs along the length of the tube.

Reference throughout this specification to features, advantages, or similar language does not imply that all of the features and advantages that may be realized with the present invention should be or are in any single embodiment of the invention. Rather, language referring to the features and advantages is understood to mean that a specific feature, advantage, or characteristic described in connection with an embodiment is included in at least one embodiment of the present invention. Thus, discussion of the features and advantages, and similar language, throughout this specification may, but do not necessarily, refer to the same embodiment.

Furthermore, the described features, advantages, and characteristics of the invention may be combined in any suitable manner in one or more embodiments. One skilled in the relevant art will recognize that the invention may be practiced without one or more of the specific features or advantages of a particular embodiment. In other instances, additional features and advantages may be recognized in certain embodiments that may not be present in all embodiments of the invention.

These features and advantages of the present invention will become more fully apparent from the following description and appended claims, or may be learned by the practice of the invention as set forth hereinafter.

#### BRIEF DESCRIPTION OF THE DRAWINGS

In order that the advantages of the invention will be readily understood, a more particular description of the invention briefly described above will be rendered by reference to specific embodiments that are illustrated in the appended drawings. Understanding that these drawings depict only typical embodiments of the invention and are not therefore to be considered to be limiting of its scope, the invention will be described and explained with additional specificity and detail through the use of the accompanying drawings, in which:

4

FIG. 1 is a perspective view illustrating one embodiment of a safety Holiday lighting assembly attached to an exterior perimeter of a building in accordance with the present invention;

FIG. 2 is a perspective view illustrating a tube with the pair of tube termini and tube fastener in accordance with the present invention;

FIG. 3 is a further perspective view illustrating the tube with a detached terminal cylinder in accordance with the present invention;

FIG. 4 is a further elevated side view illustrating the tube and a tube terminus in accordance with the present invention;

FIG. 5 is a close-up perspective view illustrating one end of the tube with the pair of tube termini and tube fastener in accordance with the present invention;

FIGS. 6A, 6B, and 6C are various views illustrating the tube fastener, where FIG. 6A is a frontal view, FIG. 6B is an elevated side view, and FIG. 6C is a lower angle perspective view in accordance with the present invention;

FIGS. 7A, 7B, and 7C are various views illustrating an alternative corner tube fastener, where FIG. 7A is a lower angle perspective view, FIG. 7B is an elevated side view, and FIG. 7C is a frontal view in accordance with the present invention;

FIG. 8 is a perspective bottom view illustrating one end of the tube in accordance with the present invention;

FIG. 9 is a sectioned side view illustrating a tube and a circuitry with the pair of tube termini and tube fastener in accordance with the present invention;

FIGS. 10A, 10B, and 10C are various views illustrating an alignment member, where FIG. 10A is a lower angle perspective view, FIG. 10B is an elevated side view, and FIG. 10C is a frontal view in accordance with the present invention;

FIG. 11 is a sectioned side view illustrating the alignment member retaining the circuitry in accordance with the present invention;

FIG. 12 is a flowchart diagram of a method for sealing a Holiday light assembly while detachably attached to an exterior perimeter of a building in accordance with the present invention; and

FIG. 13 is a flowchart diagram of a method for installing a Holiday light assembly in accordance with the present invention.

#### DETAILED DESCRIPTION

Reference throughout this specification to “one embodiment,” “an embodiment,” or similar language means that a particular feature, structure, or characteristic described in connection with the embodiment is included in at least one embodiment of the present invention. Thus, appearances of the phrases “in one embodiment,” “in an embodiment,” and similar language throughout this specification may, but do not necessarily, all refer to the same embodiment.

Furthermore, the described features, structures, or characteristics of the invention may be combined in any suitable manner in one or more embodiments. In the following description, numerous specific details are provided, such as examples of programming, software modules, user selections, network transactions, database queries, database structures, hardware modules, hardware circuits, hardware chips, etc., to provide a thorough understanding of embodiments of the invention. One skilled in the relevant art will recognize, however, that the invention may be practiced without one or more of the specific details, or with other methods, compo-

nents, materials, and so forth. In other instances, well-known structures, materials, or operations are not shown or described in detail to avoid obscuring aspects of the invention.

The schematic flow chart diagrams included herein are generally set forth as logical flow chart diagrams. As such, the depicted order and labeled steps are indicative of one embodiment of the presented method. Other steps and methods may be conceived that are equivalent in function, logic, or effect to one or more steps, or portions thereof, of the illustrated method. Additionally, the format and symbols employed are provided to explain the logical steps of the method and are understood not to limit the scope of the method. Although various arrow types and line types may be employed in the flow chart diagrams, they are understood not to limit the scope of the corresponding method. Indeed, some arrows or other connectors may be used to indicate only the logical flow of the method. For instance, an arrow may indicate a waiting or monitoring period of unspecified duration between enumerated steps of the depicted method. Additionally, the order in which a particular method occurs may or may not strictly adhere to the order of the corresponding steps shown.

FIG. 1 depicts a safety holiday light assembly 100, hereafter, "assembly 100" that detachably attaches to an external perimeter 202 of a building 200 for decorative enhancements, such as when celebrating holiday. Beneficially, such an assembly 100 would provide a tube 102 that is detachably fastened to the building 200 through the use of at least one tube fastener 128. The tube 102 can be manipulated against the exterior perimeter of the building 200, including the eaves and roof, and then fastened thereto from the ground surface. In this manner, it is not necessary to climb a ladder or climb on the building to install the assembly 100.

In some embodiments, the assembly 100 decoratively illuminates the exterior perimeter 202 of a building 200. The exterior perimeter 202 of the building 200 may include, without limitation, an eave, a corner, a roof ridge, a window frame, and a door perimeter 202. In another embodiment, the tube 102 may be used on outdoor trees, windows, and roof tops, and even indoors. The assembly 100 may be configured in any desired orientation on the exterior perimeter 202 to achieve a desired decorative effect. The tube 102 may also be color coordinated to match the colors of the building 200. The present invention enables outdoor operation of the assembly 100 without concern for external moisture and contaminants due to the sealing capacity that protects the circuitry within the tube 102.

The tube 102 is defined by an elongate, flexible cylinder shape. The tube 102 has a cavity 108, a pair of tube termini 104a-b, an outer surface 110, and a slot 106 that runs along the length of the tube 102. The tube 102 is substantially rigid, and thus, may be aligned along the vertical and horizontal sections of the building 200 from the ground surface. By applying a leveraging force on a tube 102, it aligns along an exterior perimeter 202 of a building 200 from a ground surface. The tube 102 acts much like a lever, whereby a fulcrum, such as an arm, can be used to raise the tube 102 against the selected region of the building 200 for installation.

For example, the tube 102 is aligned to a corner of a building 200 and pivoted upwardly to engage the corner. A fastening device, such as a stapler, with a long handle may then be used to staple the tube 102 to the corner of the building 200. In another example of facilitated installation from the ground surface, the tube 102 is lifted with an

elongated tool to align with the eaves on the roof. A stapler with a long handle may then engage the tube 102 to fasten it to the desired location on the building 200. By not requiring climbing on a ladder or on the roof, and providing a rigid, lightweight tube 102 that easily aligns with the exterior perimeter 202 of the building 200, installation of the assembly 100 becomes a substantially safer operation.

The cavity of the tube 102 is sized and dimensioned to carry circuitry for powering a plurality of lighting members 116a-c. The lighting members 16a-c protrude through the slot 106 to illuminate from the outer surface 110 of the tube 102, and thereby provide decorative holiday lighting. The lighting members 116a-c may include light bulbs having different colors and dimensions. The lighting members 116a-c are moved, inserted, and detached from the tube 102 through a pair of open ended tube termini 104a-b.

The tube 102 carries the plurality of lighting members 116a-c and the accompanying circuitry along its length. The lighting members 116a-c protrude through the slot, while the circuitry is protected in the cavity 108 of the tube. The circuitry and the lighting members 116a-c insert and detach from the cavity 108 of the tube 102 through a pair of tube termini 104a-b, and a slot 106 that runs along the length of the tube 102.

The cavity 108 of the tube 102 enables passage of at least one alignment member 118 for manipulation of the lighting members 116a-c. The alignment member 118 attaches to the lighting members 116a-c and enables insertion, removal, reorientation, and adjustments of the lighting members 116a-c from the tube 102. The alignment member 118 comprises a rod 114 and at least one sphere 120. The rod 114 extends through a cavity of the tube 102, along a longitudinal axis of the tube 102. The rod 114 is flexible and traces the curves of the tube 102 as it is pushed through. The rod 114 does not buckle because it is inside the tube 102.

The at least one sphere 120 forms an integral piece with the rod 114 and attaches to the rod 114 at spaced-apart intervals. The sphere 120 comprises an aperture 122 that enables the rod 114 to pass through. The rod 114 may form a snug fit with the aperture 122, such that the sphere 120 move with the rod 114. In one possible embodiment, a sphere 120 attaches every 12" along the length of the rod 114. In one embodiment, the sphere 120 forms an integrated part of the rod 114. However, in other embodiments, the sphere 120 may be detachably fastened or molded to the rod 114. The sphere 120 rests in the cavity of the tube 102, protruding slightly from a slot 106 that runs along the length of the tube 102.

The lighting members 116a-c attach to the sphere 120 with a sphere fastener (not shown), such as zip ties. Though other types of sphere fasteners may be used, including, without limitation, screws, magnets, adhesives, and hook and loop fasteners. In this manner, the lighting members 116a-c can be traversed along the length of the tube 102 by pulling and pushing the rod 114 from the pair of open tube termini 104a-b at the ends of the tube 102. The rod 114 may also be rotated to orient the lighting members 116a-c within the lateral limits of the slot 106. However, in other embodiments, a string is tied at the ends of the rod 114. The string may be used to manipulate the sphere 120; and thereby, the attached lighting member 116a-c. As discussed above, the lighting members 116a-c are on the outside of the tube 102, while the sphere 120 rests in the cavity 108, protruding slightly from the slot 106.

In some embodiments, a tab 124 extends from the sphere 120. The tab 124 also passes through the slot 106 and helps align the sphere 120 and the attached lighting members

**116a-c** in relation to the tube **102**. The tab **124** may be used as a grip for carrying the assembly. In some embodiments, the tab **124** may include a tab gap **126** that is configured to enable rotatable manipulation of the tab **124**. In one exemplary embodiment, a string may be tied through the tab gap **126** to manipulate the tab **124**, and consequently the sphere **120** that is fastened to the lighting members **116a-c**.

The assembly **100** further comprises at least one tube fastener **128** and at least one corner tube fastener **140**, such as a bracket, of different shapes to which the tube **102** is connected. The corner tube fastener **140** may include a C-shaped bracket for attaching the tube **102** on corners and above edges of the roof. In some embodiments, the tube **102** may also be color coordinated to match the color of the building **200**, or the exterior perimeter **202** of the building **200** to which the tube **102** attaches. The safety Holiday light assembly **100** may also be installed around window frames.

Since the tube **102** is generally rigid, loose wiring does not interfere with installation around the windows. For the same reasons, the assembly **100** could also be installed behind aluminum siding and within exterior surfacing of a building **200**. The substantially rigid configuration of the tube **102**, and the internally sealed circuitry and lighting member help facilitate installation from the ground surface, and installation to unique sections of the building **200**, as described above.

Furthermore, the tube **102** is configured to self-seal by forming barriers at the tube termini **104a-b**, which generally form open, opposite ends of the tube **102**. The tube termini **104a-b** are configured to enable passage of the rod **114**. The tube **102** also forms a seal along a slot **106** that runs along the length of the tube **102**. The slot **106** is configured to enable insertion and removal of the rod **114**, the at least one sphere **120**, and the attached lighting members **116a-c**.

Through the aforementioned alignment member **118**, the lighting members **116a-c** may be manipulated in a desired orientation within the tube **102** for enhancing the decorative display and for enhancing the seal on the slot **106**. The rod **114** is rotated and pulled through the tube **102** to achieve the desired orientation of the spheres **120** and the attached lighting members **116a-c**. In this manner, the circuitry and lighting members **116a-c** are protected from external moisture and contaminants, while also displaying enhanced lighting for the holidays.

Turning now to FIG. 2, the assembly **100** comprises a generally elongated tube **102**. The tube **102** may be flexible, so as to enable configurations around corners and ridges commonly found at the perimeters **202** of buildings **200**. The tube **102** easily and detachably affixes to an exterior perimeter **202** of a building **200** through at least one tube **102** fastener. The tube **102** is configured, chiefly to carry a circuitry and a plurality of lighting members **116a-c**. The tube **102** is at least partially self-sealed to protect the circuitry and the lighting members **116a-c** from external elements, such as moisture and contaminants.

As referenced in FIG. 3, the assembly **100** comprises a generally elongated and flexible tube **102**. The tube **102** is defined by a pair of tube termini **104a-b**, a cavity **108**, an outer surface **110**, and a slot **106**. The pair of tube termini **104a-b** are open ends that have a tapered or expanded opening. The pair of tube termini **104a-b** form openings at the opposite ends of the tube **102**, and are defined by a first diameter.

The cavity **108** is sized and dimensioned to snugly receive the circuitry and a base end of the lighting members **116a-c**. The outer surface **110** of the tube **102** is sufficiently rigid to enable outdoor installation of the tube **102**. The slot **106**

forms a space along a substantial length of the tube **102**. FIG. 4 illustrates the slot **106** extending along the length of the tube **102** for enabling insertion and removal of a circuitry and a plurality of lighting members **116a-c**.

As referenced in FIG. 5, the assembly **100** may further include at least one tube fastener **128** that serves to detachably attach the tube **102** to the exterior perimeter **202** of the building **200**. Any configuration of design for the tube **102** may be arranged to achieve a desired decorative effect. The tube fastener **128** comprises a block **130** that holds the tube **102**, and a flange **134** that fastens to the building **200** (FIG. 6A). The flange **134** may be attached perpendicularly to the block **130**.

In one embodiment, the block **130** has a centrally disposed opening **132**. The opening **132** is configured to enable passage of the tube **102**. Thus, the tube **102** may pass through the opening **132** with frictional snugness to the outer surface **110** of the tube **102** (FIG. 6B). The flange **134** mounts on to the building **200**. The flange **134** includes at least one fastening hole **136** that enables passage of a fastener, such as a screw or nail, for attaching the tube **102** to the building **200** (FIG. 6C). Though in other embodiments, the flange **134** may attach to the building with a magnet, an adhesive, or a frictional fit.

In one alternative embodiment illustrated in FIGS. 7A, 7B, and 7C, the assembly **100** may include a corner tube fastener **140**. The corner tube fastener **140** is configured to detachably attach the tube **102** to a corner or awkward angle on the building **200**. Those skilled in the art will recognize that Holiday lights are often installed around the full perimeter of a building **200**, including the roof. This creates problems since many corners, nooks, and ridges may be encountered. These unique shapes may not be fastened as easily with the generally uniform, rectangular tube fastener **128** discussed above.

In one embodiment of the corner tube fastener **140**, an extended flange **144** extends beyond the perimeter **202** of the block **142**. Additionally, with the corner tube fastener **140**, both the extended flange **144** and the block **142** include at least one fastening hole **146**. Similar to the tube fastener **128**, the block **142** has an opening **148** for receiving the tube **102**.

The assembly **100** may further include at least one terminal cylinder **112** (FIG. 8). The terminal cylinder **112** is configured to detachably couple to the pair of tube termini **104a-b**, and thus is substantially shaped the same. The terminal cylinder **112** may have a threaded inner surface that rotatably engages the termini **104a-b** for attachment and detachment therefrom. Though in other embodiments, the terminal cylinder **112** can be attached through frictional fitting or a magnet. The terminal cylinder **112** may include a cylindrically shaped cap with open ends. However, the terminal cylinder **112** may also be closed in some embodiments. The terminal cylinder **112** comprises a second diameter that is generally smaller than the first diameter, such that entry of moisture and contaminants through the pair of tube termini **104a-b** is at least partially inhibited through this restrictive terminus seal.

As illustrated in FIGS. 2 and 9, the assembly **100** may further include a circuitry. The circuitry may include a sheathed wire that operatively connects with an external power source **204**. The circuitry is configured to carry power for operating the lighting members **116a-c**. The circuitry is configured to position generally concentric, and in a snug disposition in the cavity **108** of the tube **102**. The circuitry is also configured to pass through the slot **106** of the tube **102** for insertion and removal. The circuitry creates a frictional



snap action engagement with the slot 106 while passing through, so as to require a force to enable insertion and removal from the tube 102.

The assembly 100 further comprises a plurality of lighting members 116a-c, such as light bulbs, light emitting diodes, and light strips. The light bulbs may have a decorative appearance and utilize different colors and multiple lighting patterns known in the art of Holiday decorations. The lighting members 116a-c are configured to operatively connect to the circuitry, through connectors, circuitry, and light fixture fittings. In this manner, the lighting members 116a-c may convert the power from the circuitry into light. The plurality of lighting members 116a-c are sized and dimensioned to at least partially protrude through the slot 106 of the tube 102. In one exemplary embodiment, the circuitry and the lighting members 116a-c are held taut against the inner surface of the slot 106, serving as a barrier to moisture and contaminants.

The rod 114 may comprise any rigid or flexible polymeric or metallic material. The rod 114 is affixed to, or formed as an integrated piece with, a plurality of spheres 120. These spheres 120 each comprise a cantilever, or tab 124, which juts or protrudes through the slot 106 and to which holiday lighting may be affixed. In the shown embodiment, the holiday lighting is affixed to the cantilever 124 with ties downs strung through an aperture defined by the cantilever 124.

Turning now to FIG. 10A, the assembly 100 may include at least one alignment member 118 that enables external manipulation of the lighting members 116a-c. The alignment member 118 enables the manipulations for sealing the slot 106 and displaying the lighting members 116a-c in a desired orientation. The alignment member 118 is defined by a rod 114 and at least one sphere 120.

In one embodiment shown in FIG. 10B, the sphere 120 comprises an aperture 122 that is sized and dimensioned to enable passage of the rod 114. The aperture 122 comprises a guide bar 138 that protrudes slightly from an inner ridge of the aperture 122. The guide bar 138 helps manipulate the rod 114 by positioning on one side of the circuitry and through rotation of the sphere 120, rotatably moving the rod 114 inside the tube 102 (FIG. 10C).

Looking now at FIG. 11, the tab 124 extends from the sphere 120 and enables control of the sphere 120 from outside the tube 102. In one exemplary embodiment, the tab 124 is moved laterally within the space of the slot 106 to rotate the sphere 120. However, the tab 124, along with the rod 114, may also be used to slide the circuitry along the length of the circuitry. The tab 124 may also be used as a grip for carrying the assembly 100. In some embodiments, the tab 124 may include a tab gap 126 that is configured to enable rotatable manipulation of the tab 124. In one exemplary embodiment, a string may be tied through the tab gap 126 to manipulate the tab 124, and consequently the sphere 120, rod 114, and lighting members 116a-c.

In this manner, manipulation of the tab 124 enables rotation of the guide bar 138. And rotation of the guide bar 138 enables rotation of the rod 114 for aligning the plurality of lighting members 116a-c through the slot 106 for at least partially sealing the tube 102 and displaying the lighting members 116a-c in a desired orientation.

The lighting member 116 may comprise Christmas lights.

FIG. 12 shows one possible embodiment of a method 1200 for sealing a holiday light assembly 100 while detachably attached to an exterior perimeter 202 of a building 200.

The method 1200 in the disclosed embodiments substantially includes the steps necessary to carry out the functions

presented above with respect to the operation of the described assembly 100. The method 1200 helps protect a circuitry and a plurality of lighting members 116a-c from moisture and contaminants by sealing the tube 102. The tube 102 detachably attaches to a perimeter 202 of a building 200 for lighting. At least one terminal cylinder 112 restricts the entrance at the pair of termini 104a-b of the tube 102. This inhibits entry of moisture and contaminants from the termini 104a-b of the tube 102.

The tube 102 comprises a pair of open termini 104a-b, and a slot 106 that enables insertion of an alignment member 118 made up of a rod 114 and at least one sphere 120. The sphere 120 rests in the cavity 108 of the tube. The plurality of lighting members 116a-c attach to the sphere 120 and extend out of the tube 102 through the slot 106. The slot 106 is sealed from moisture and contaminants by at least partially filling the slot with the lighting members 116a-c and the circuitry.

For example, the lighting members 116a-c are rotated and pulled by the rod 114 to at least partially protrude from the slot 106, thereby serving as a seal from external elements. The rod 114 manipulates the lighting members 116a-c by being pulled and pushed from its ends. The sphere 120 attaches to the rod 114 inside the tube 102. The sphere 120 is defined by a tab 124 that enables gripping for manipulating the rod 114 and lighting members 116a-c.

In one embodiment, the method 1200 includes an initial Step 1202 of aligning a tube 102 with an exterior perimeter 202 of a building 200. The building 200 may include, without limitation, a residential house, an office building 200, and a sky scraper. The tube 102 is defined by a pair of tube termini 104a-b, a cavity 108, an outer surface 110, and a slot 106.

The method 1200 also may include a Step 1204 of detachably fastening the tube 102 to the exterior perimeter 202 of the building 200 with at least one tube fastener 128. The tube fastener 128 serves to detachably attach the tube 102 to the exterior perimeter 202 of the building 200. Any configuration of design may be arranged to achieve a desired decorative effect. The tube 102 fastener comprises a block that holds the tube 102 and a generally perpendicular flange that fastens to the building 200.

In a further embodiment, the method 1200 includes a Step 1206 of passing at least one alignment member 118 through the tube 102, the at least one alignment member 118 defined by a rod 114 and at least one sphere 120, the at least one sphere 120 configured to attach to a plurality of lighting members 116a-c. The alignment member 118 manipulates the circuitry and the lighting members 116a-c for sealing the slot 106 and displaying the lighting members 116a-c in a desired orientation. The alignment member 118 attaches directly to the circuitry from a sphere 120, and also extends out of the tube 102 from a tab 124 that enables external manipulation of the circuitry and the lighting members 116a-c.

In yet another embodiment, the method 1200 comprises a Step 1208 of coupling at least one terminal cylinder 112 to a pair of tube termini 104a-b that form the opposite ends of the tube 102. The terminal cylinder 112 is configured to detachably couple to the tube termini 104a-b through a threaded engagement. Though, in other embodiments, frictional fitting, adhesives, and fasteners known in the art may be used to form the connection. The terminal cylinder 112 may include a cylindrically shaped cap with open ends, and be defined by a second diameter. The second diameter is generally smaller than the first diameter, such that entry of

## 11

moisture and contaminants through the pair of tube termini **104a-b** is at least partially sealed.

The method **1200** also may include a Step **1210** of inserting the rod **114** through the pair of tube termini **104a-b**. The rod **114** is configured to pass through the termini **104a-b**, or even the slot **106** of the tube **102**, forming a snap action engagement with the slot **106**, such that a force is required to insert or remove the circuitry from the cavity **108** of the tube **102**. The rod **114** does not buckle inside the tube **102**, since it forms a generally snug fit.

In a further embodiment, the method **1200** includes a Step **1212** of at least partially sealing the tube **102** with the at least one terminal cylinder **112**. The terminal cylinder **112** may be threaded to enable threaded engagement with the termini **104a-b**.

Another Step **1214** of the method **1200** may include manipulating the at least one alignment member **118**, such that the rod **114** and the plurality of lighting members **116a-c** at least partially extend outwardly through the slot **106**. Manipulation of the tab **124** enables rotation of the guide bar **138**. And rotation of the guide bar **138** enables rotation of the circuitry for aligning the plurality of lighting members **116a-c** through the slot **106** for at least partially sealing the tube **102** and displaying the lighting members **116a-c** in a desired orientation. The tab **124** may also be used to manipulate the rod **114**. In some embodiments, the tab **124** may include a tab gap **126** that is configured to enable rotatable manipulation of the tab **124**. In one exemplary embodiment, a string may be tied through the tab gap **126** to manipulate the tab **124**, and consequently the sphere **120**, rod **114**, and lighting members **116a-c**.

A final Step **1216** includes at least partially sealing the tube **102** with the circuitry and the plurality of lighting members **116a-c**. The tab **124** can be pulled, rotated, and slid along the length of the slot **106** to achieve a desired barrier to moisture and contaminants, while also achieving a desired orientation of the lighting members **116a-c** for decorative holiday lighting.

As described above, the assembly **100** may be installed form a ground surface. The generally lightweight, rigid configuration of the tube **102** enables facilitated manipulation against the exterior perimeter of a building **200**, such as an eave, a corner, a roof ridge, a window frame, a window frame, and a door perimeter.

FIG. **13** references an installation method **1300** that enables safe installation of a holiday lighting assembly from a ground surface. In this manner, climbing a ladder or roof of the building to perform the installation is not necessary. The installation method **1300** includes a first Step **1302** of applying a leveraging force on a tube **102** to align the tube **102** along an exterior perimeter of a building from a ground surface. The tube **102** carries a circuitry and a plurality of lighting members **116a-c** that are used for holiday lighting. The lighting members **116a-c** protrude through a slot **106** that runs along the length of the tube **102**. The tube **102** may be color coordinated to match the colors of the building **200**. Furthermore, the tube **102** forms protective seals against external elements at the tube termini **104a-b** and along a slot **106** that is used to insert and remove the circuitry and lighting members **116a-c**. The tube **102** acts much like a lever, whereby a fulcrum, such as an arm, can be used to raise the tube **102** against the selected region of the building **200** for installation.

A Step **1304** includes rotating a slot **106** on the tube **102** away from the building, such that a plurality of lighting members **116a-c** orient outwardly. The lighting members **116a-c** protrude slightly from the slot **106**. The installation

## 12

method **1300** may further include a Step **1306** of adjusting the lighting members **116a-c** to provide optimal illumination. Since the lighting members **116a-c** protrude from the slot, the amount and direction of the lighting members **116a-c** can be adjusted in this manner. A Step **1308** may include fastening the tube **102** to the building from the ground surface. A fastening device, such as a stapler, a hammer, or a nail gun may be used to fasten screws into the appropriate fastening holes **136** in the tube fastener **128**, or even the corner tube fastener **140**, as required. A final Step **1310** comprises detaching the tube **102** from the building from the ground surface. The rigid construction of the tube **102** allows for the tube **102** to be pulled off the building **200** from the ground.

The present invention may be embodied in other specific forms without departing from its spirit or essential characteristics. The described embodiments are to be considered in all respects only as illustrative and not restrictive. The scope of the invention is, therefore, indicated by the appended claims rather than by the foregoing description. All changes which come within the meaning and range of equivalency of the claims are to be embraced within their scope.

What is claimed is:

1. A holiday light assembly to facilitate expeditious place of holiday lights on a building, the assembly comprising a plurality of lighting members;

one or more cylindrical tubes defining a hollow inner cavity and a slot, the tubes each having a first diameter and a pair of tube termini,

wherein the slot extends along the length of the tube;

an alignment member comprising a rod and a plurality of spheres, the rod and the plurality of spheres joined at evenly spaced-apart intervals, the alignment member disposed to pass through the cavity along the length of the tube, each sphere attaches to a lighting member of the plurality of lighting members

wherein each sphere defines an aperture receives the rod and comprises a cantilever protruding through the slot when the alignment member is within the cavity, each cantilever comprising fastening means to fasten the cantilever to the lighting member, wherein each sphere further comprises a guide bar enables rotation of the rod.

2. The assembly of claim 1, further comprising:

at least one terminal cylinder, the at least one terminal cylinder defined by a second diameter, the at least one terminal cylinder configured to detachably couple to the pair of tube termini,

at least one tube fastener, the at least one tube fastener defined by a block having an opening, the opening configured to enable passage of the tube, the at least one tube fastener further defined by a flange having at least one fastening hole;

the plurality of lighting member having a plurality of holiday lights.

3. The assembly of claim 2, wherein the block of the at least one tube fastener is affixable to the outer surface of the tube via one of a detachable fastener and adhesive.

4. The assembly of claim 3, wherein the flange of the at least one tube fastener detachably attaches to the exterior perimeter of the building.

5. The assembly of claim 2, wherein the at least one terminal cylinder substantially matches the shape of the pair of tube termini.

6. The assembly of claim 2, wherein the at least one terminal cylinder detachably couples to the pair of tube termini through a threaded engagement.

**13**

7. The assembly of claim 2, wherein the at least one fastening hole of the flange is configured to enable passage of a screw.

8. The assembly of claim 1, wherein the rod is affixed to the sphere with adhesive.

9. The assembly of claim 8, wherein the cantilever of each sphere extends outwardly from the cavity of the tube through the slot.

10. The assembly of claim 9, wherein the rod is formed as an integrated piece with the plurality of spheres.

11. The assembly of claim 10, wherein the plurality of lighting members are fastened to the at least one sphere with a fastener.

12. The assembly of claim 11, wherein the tube is configured to detachably attach to an exterior perimeter of a building.

13. The assembly of claim 12, wherein the exterior perimeter of the building includes at least one member selected from the group consisting of: an eave, a corner, a roof ridge, a window frame, and a door perimeter.

14. The assembly of claim 1, wherein the tube is color coordinated to substantially match the exterior perimeter of the building.

15. The assembly of claim 1, wherein the plurality of lighting members includes at least one member selected from the group consisting of: light bulbs, light emitting diodes, and light strips.

**14**

16. A method for expeditiously positioning holiday lighting on the exterior perimeter of a building, the method comprising:

aligning a tube with an exterior perimeter of a building; detachably fastening the tube to the exterior perimeter of the building with at least one tube fastener;

passing at least one alignment member through the tube, the at least one alignment member defined by a rod and at least one sphere, the at least one sphere configured to attach to a plurality of lighting members, wherein the at least one sphere defines an aperture adapted to receive the rod and wherein the at least one sphere comprises a guide rod for enabling rotation of the rod;

coupling at least one terminal cylinder to a pair of tube termini on the tube;

inserting the rod through the pair of tube termini; at least partially sealing the tube with the at least one terminal cylinder;

manipulating the rod, such that the at least one sphere and the plurality of lighting members are disposed to at least partially extend outwardly through the slot; and at least partially sealing the tube with the rod and the plurality of lighting members.

\* \* \* \* \*